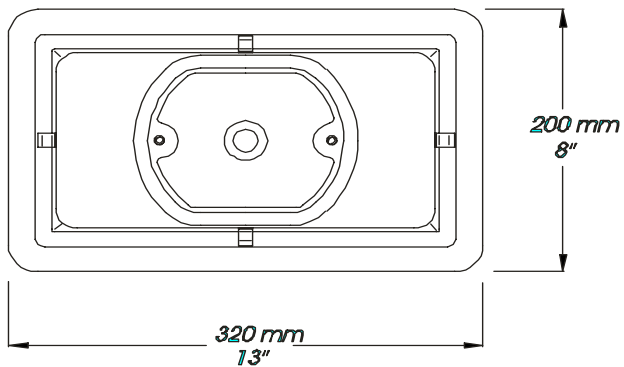
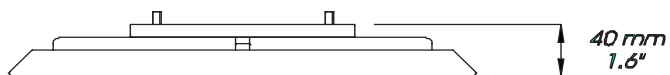
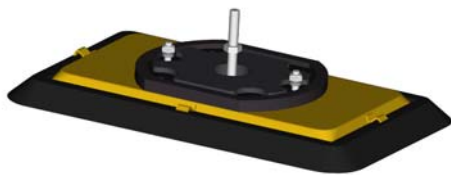
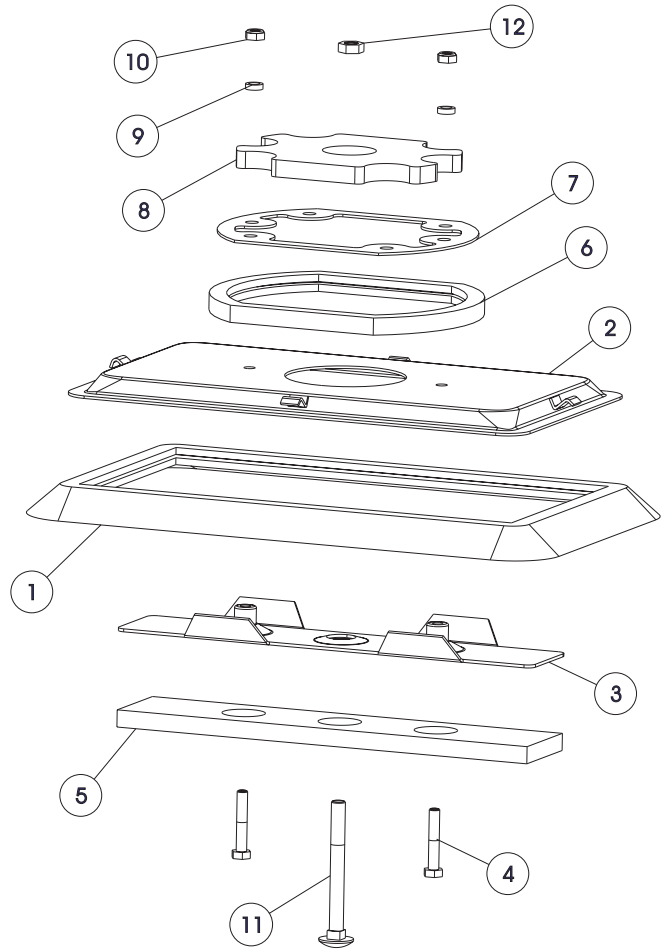


No	Suction foot 10700	Amount	Art. No.
1	Rubber gasket, black	1	10701
2	Metal part	1	10706
3	Pressure plate	3	10707
4	Screw M6X35	2	*
5	Foam	1	10708
6	Rubber gasket	1	10092
7	Frame	1	20093
8	Noise & dust filter	1	20103
9	Pre-assembly plate	2	*
10	Nut M6	2	*
11	Screw M8X80 DIN603	1	*
12	Nut M8	1	*

Suction foot 10700



TAWI

Box 10205 434 23 KUNGSBACKA Sweden
 Tel +46 300 185 00
 info@tawi.se

www.TAWI.com