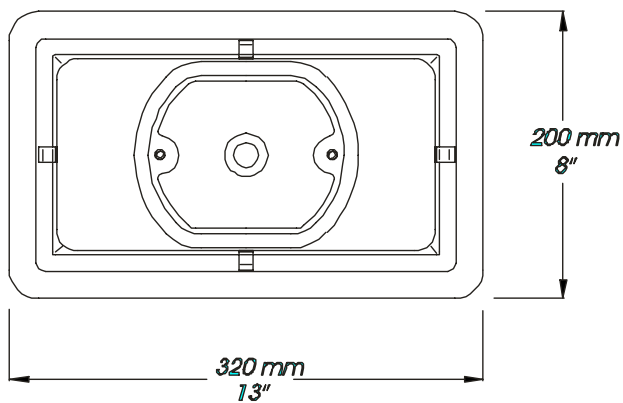
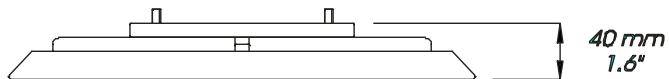
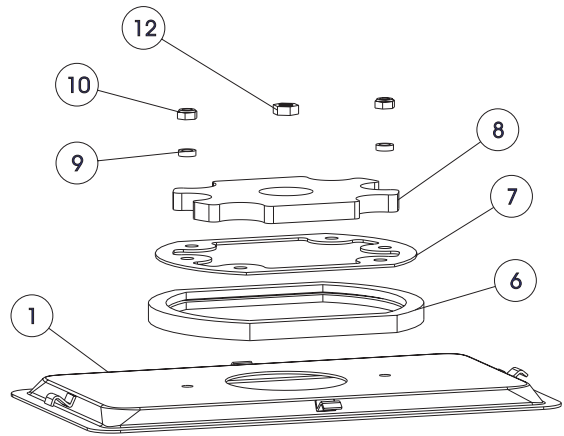


No	Suction foot 10705	Amount	Art. No.
1	Metal part	1	10706SS
2	Rubber gasket, w hite	1	10702
3	Pressure plate	3	10707SS
4	Foam	1	10708
5	Screw M6X35	2	*
6	Rubber gasket	1	10092
7	Frame	1	20093
8	Noise & dust filter	1	20103
9	Pre-assembly plate	2	*
10	Nut M6	2	*
11	Screw M8X 80 DIN603	1	*
12	Nut M8	1	*

## Suction foot 10705



**TAWI**

Box 10205 434 23 KUNGSBACKA Sweden  
 Tel +46 300 185 00  
 info@tawi.se  
 www.TAWI.com