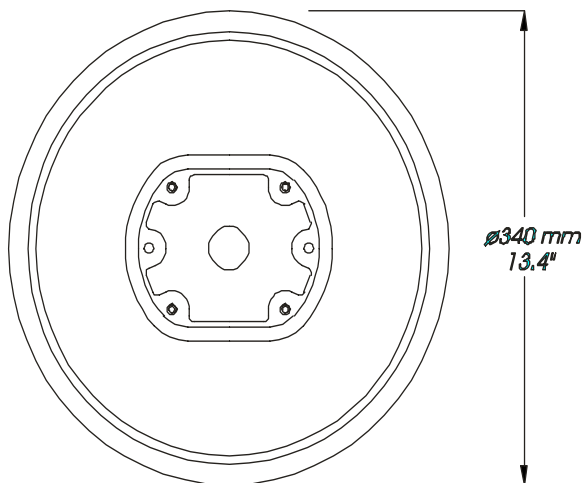
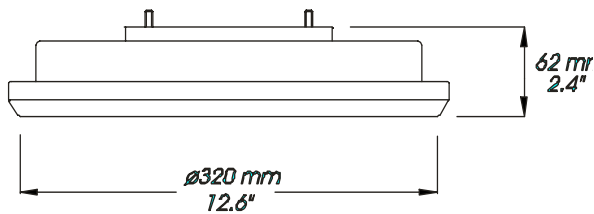
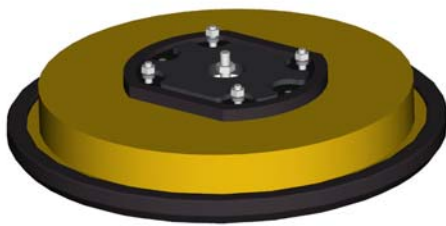
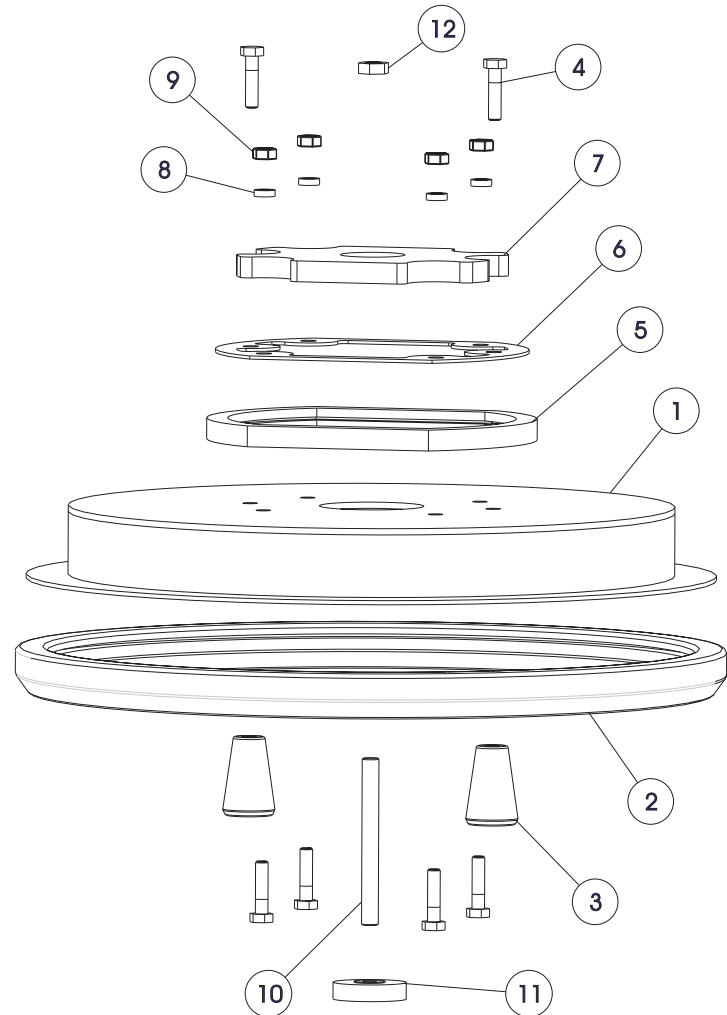


No	Suction foot 21200	Amount	Art.No.
1	Metal part	3	21206
2	Rubber gasket	1	21201
3	Plug LN93 25-M6	2	*
4	Screw M6X25	6	*
5	Rubber packing	1	10092
6	Frame	1	20093
7	Noise & dust filter	1	20103
8	Pre-assembly plate	4	*
9	Nut M6	4	*
10	Pin 150mm M8	1	*
11	Rubber pad with nut $\varnothing$ 35mm	1	10146
12	Nut M8	1	*

## Suction foot 21200



**TAWI**

Box 10205 434 23 KUNGSBACKA Sweden  
Tel +46 300 185 00  
info@tawi.se  
[www.TAWI.com](http://www.TAWI.com)