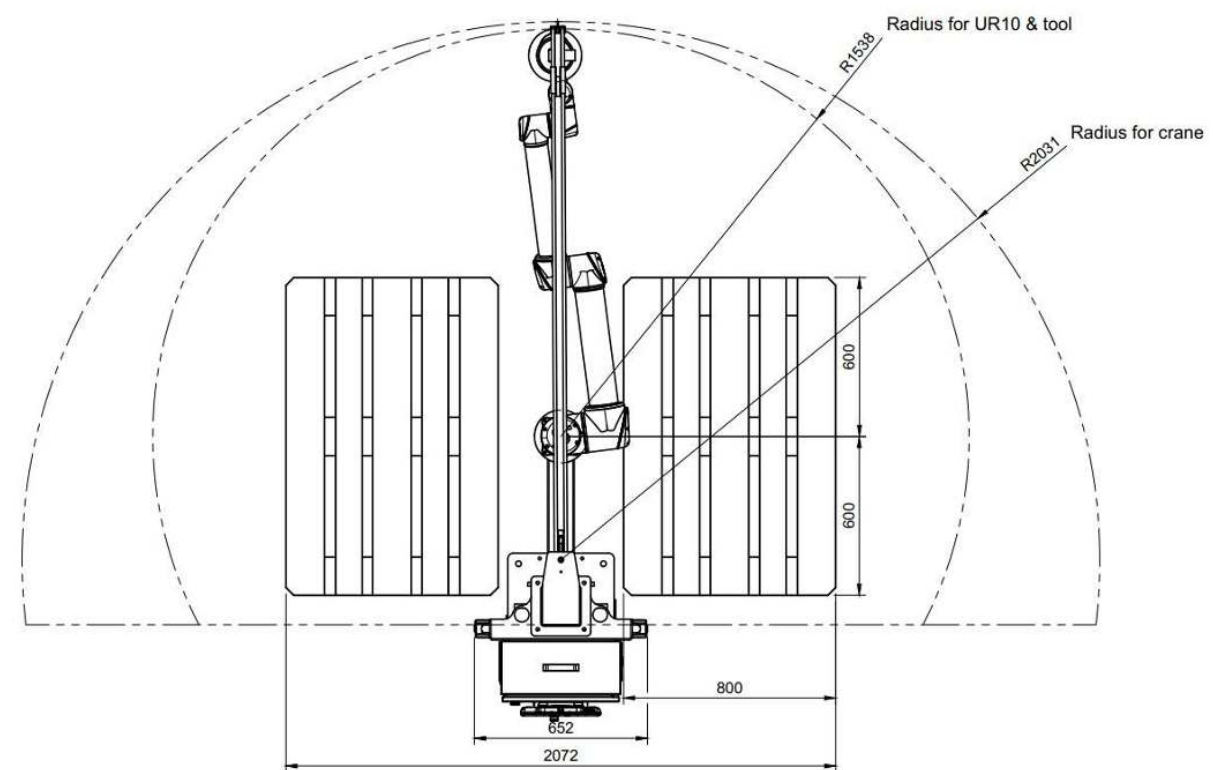
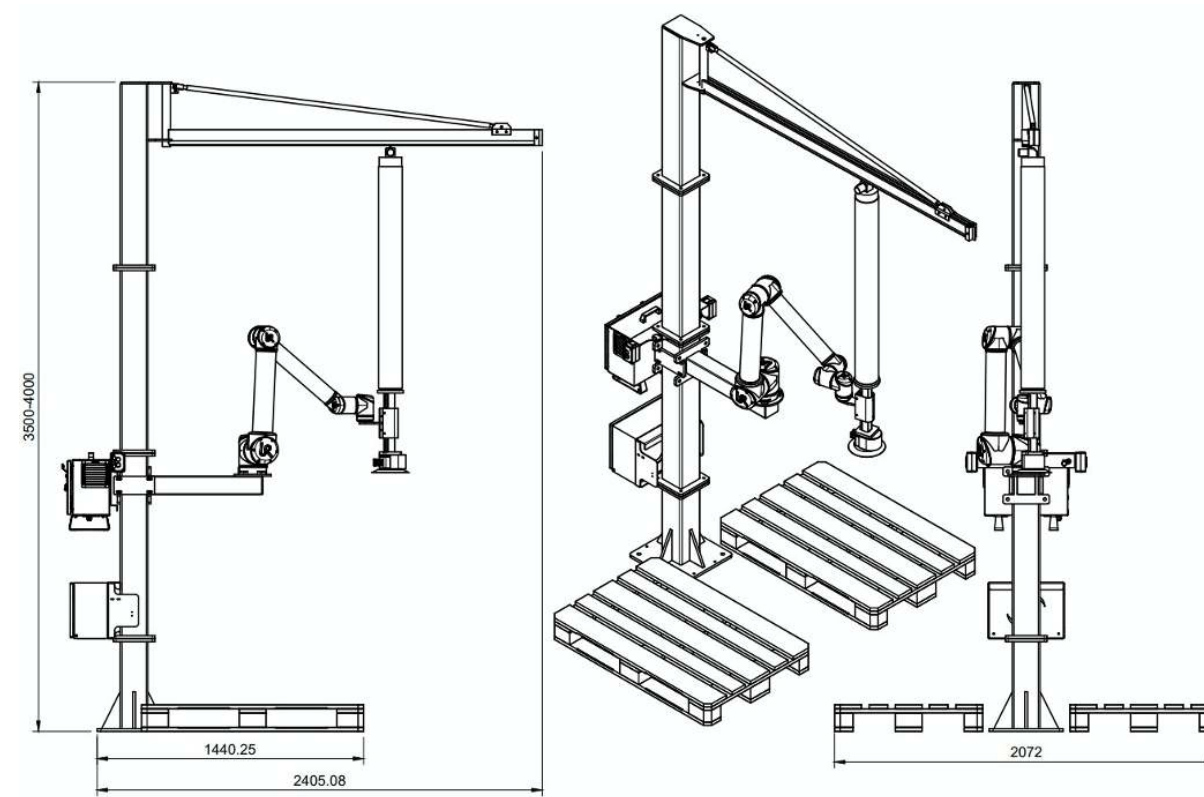


Stationary Cobot Lift Data Sheet



**Cobot Lift ApS | Industrivej 6 | 4200 Slagelse
+45 22 20 53 65 | CVR 39510693 | info@cobotlift.com**

Technical Details for Cobot Lift



**Powerful
Intelligent
Flexible**

Payload	5-45kg
Weight of Complete Solution	Approximately 250 kg
Reach	Up to 1.400 mm
Degree of Freedom	4
Power Supply	400V/16 Amp 230v/16 Amp
Air Supply	5-8 bar
Stacking Height	Maximum 1.600 mm (depending on product and layout of robot cell)
Robot Position Height	The arm on which the Cobot is placed can be adjusted from 700-1.400 mm, extra crane module of 0.5 meter length is included for more flexibility
Dimensions – complete solution with Cobot Lift, vacuum tube lift and UR arm	Footprint of crane 40x40 cm Standard height of crane 3,5 meter
Certifications and Standards	Declaration of Incorporation Directive 2006/42 EC, Annex II B
Collaborative Robot, Compatibility	UR10 CB3 or e-series
Software Version Required	Min. 3.5 or e-series
Programming	Cobot Lift URCap in Polyscope
Vacuum Tube Lifter	120 mm vacuum tube and 3 kW vacuum pump
Main Material	Steel
Accessories	Suction foot for sacks Suction cup for boxes and buckets Quick connector for end effector Silencer box for vacuum pump